

Single Toothed Broaching Tools MFE-ST

System MINIFIX

NEW



www.dieterle-tools.com

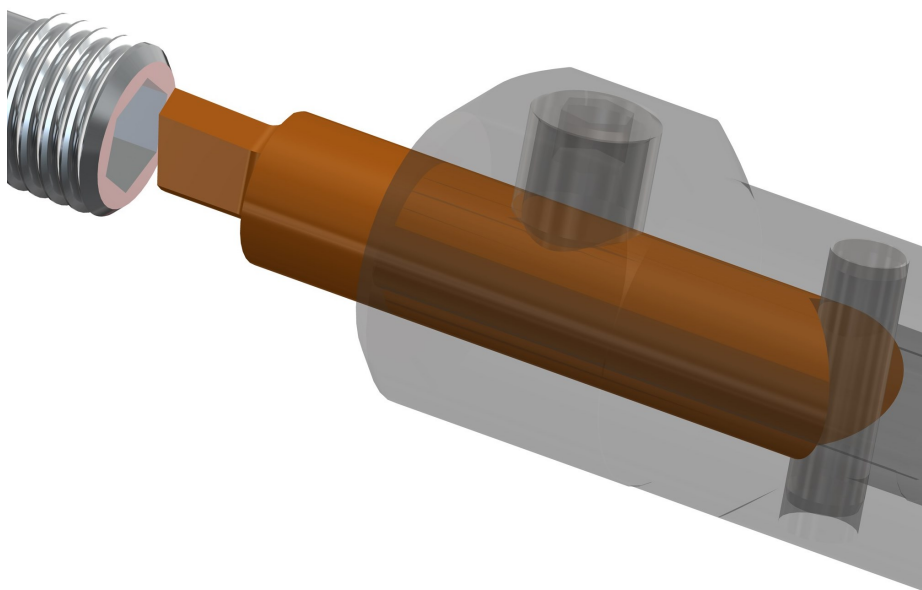
Precisely Machining Spanner Flats

- Easy handling
- Higher process stability
- Good surface quality

For the precise production of square or hexagonal spanner flats the proven system MINIFIX has been expanded with the new single toothed broaching tools MFE-ST.

By means of these new tools spanner flats are broached individually. Besides spanner flats with standard wrench sizes also spanner flats with special wrench sizes can be realised without the need for special tools. For each of our MFE-ST broaching tools a range of the width across flats (AF) is stated, which you can adjust flexibly based on your individual requirements. As the tolerance zone of the width across flats can be influenced, the process stability can be increased significantly.

Due to its brilliantly simple "V"-shaped clamping system, the proven MINIFIX tools guarantee a highly precise placement on centre height as well as outstanding tool change accuracy. A large variety of different inserts make the system MINIFIX highly flexible. You can use MINIFIX tools for boring, copying, grooving, thread chasing, face grooving and now also broaching.



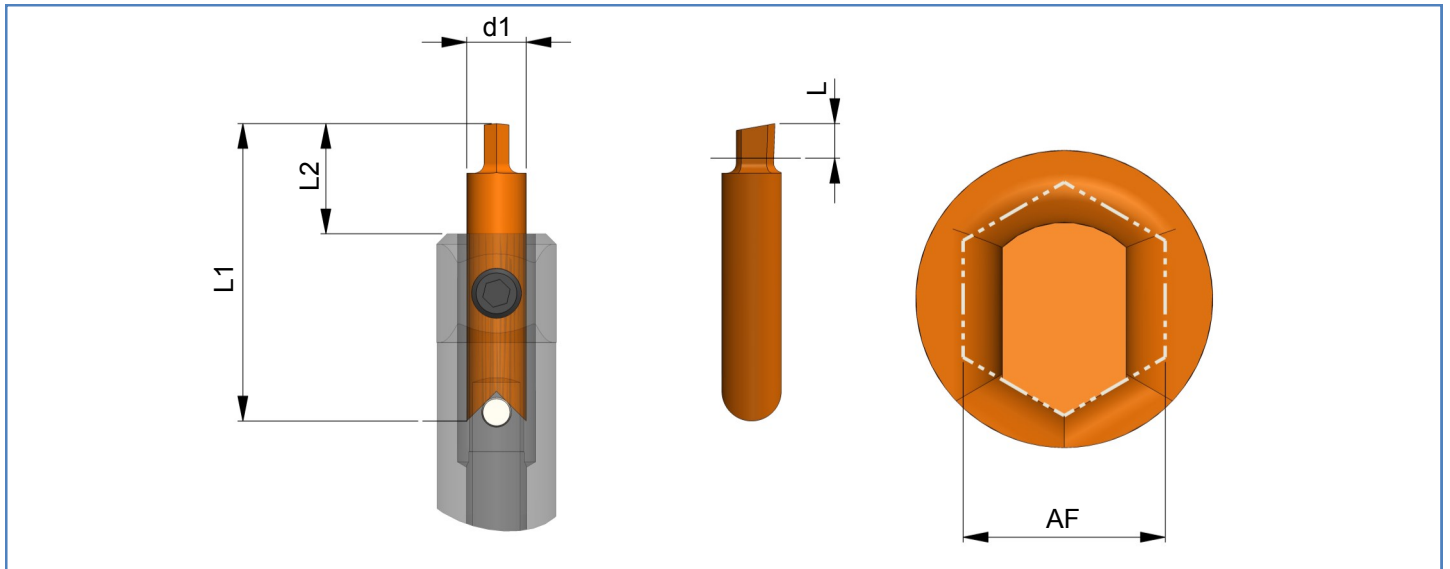
NEW

Single Toothed Broaching Tools MFE-ST

System *MINIFIX*



www.dieterle-tools.com



Item no.	Designation	AF	L	L1	L2	d1	Coating
177499	MFE-ST-6K-SW1.5-BD3	1,4 - 1,6	2	30	11,1	6	TiAIN
177500	MFE-ST-6K-SW2.0-BD3	1,9 - 2,2	3	30	11,1	6	TiAIN
177501	MFE-ST-6K-SW2.5-BD3	2,4 - 2,7	3	30	11,1	6	TiAIN
177502	MFE-ST-6K-SW3.0-BD3	2,9 - 3,4	3	30	11,1	6	TiAIN
177504	MFE-ST-6K-SW3.5-BD3	3,4 - 4,3	3	30	11,1	6	TiAIN
177509	MFE-ST-6K-SW4.0-BD3	3,9 - 4,6	4	30	11,1	6	TiAIN
177510	MFE-ST-6K-SW5.0-BD3	4,9 - 5,9	5	30	11,1	6	TiAIN

MFE-ST single toothed broaching tools for the production of square spanner flats or customer-specific special profiles are available on demand. Moreover, we can offer you further coatings or tools without coating.

Tool-holders for the MFE-ST single toothed broaching tools are available at www.dieterle-tools.de/en/MINIFIX
For choosing the appropriate tool-holder please note: d1 = 6

Besides the various standard tools we can also quickly realise special tools according to your individual requirements. Further information about our broaches and punches is available at www.dieterle-tools.de/en/broaches-punches

